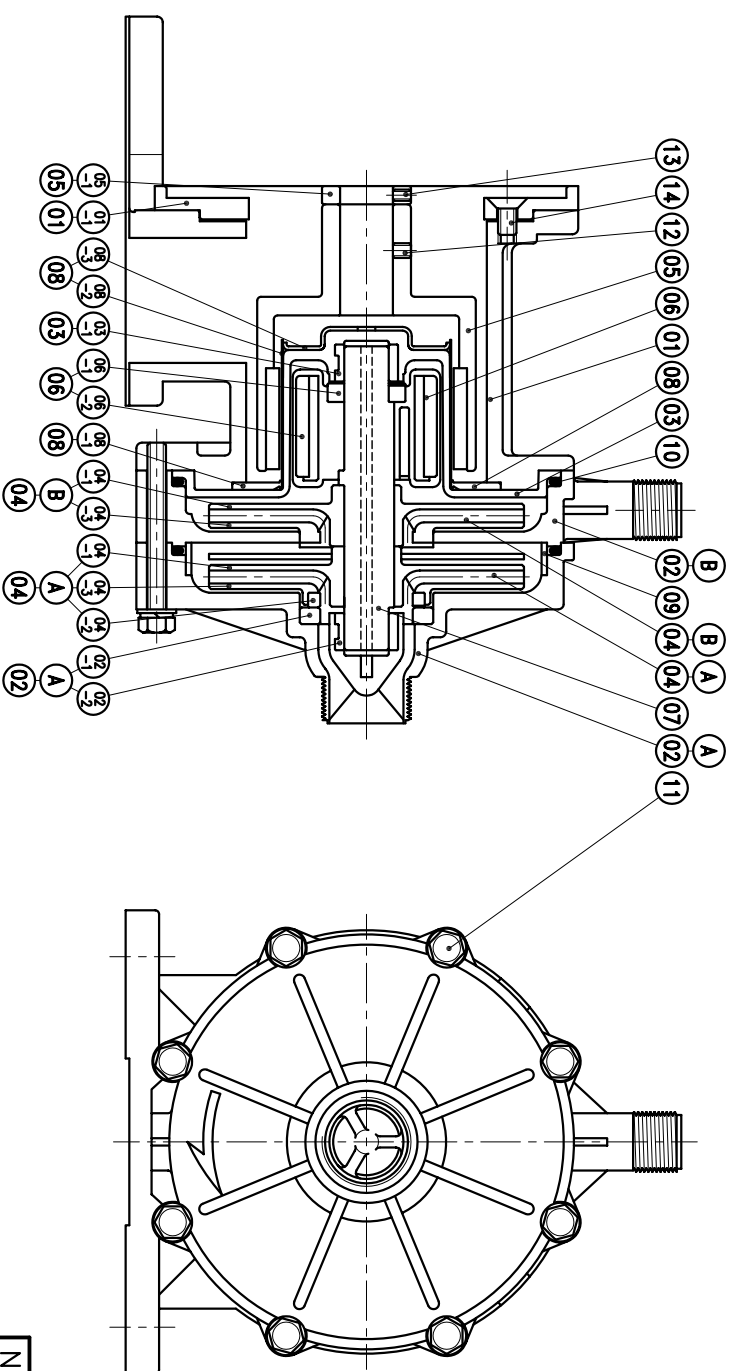


04-1	IMPELLER-1ST	1	PPS	φ170X33	A2418427	07	SPINDLE	1	CERAMIC	φ30X164	A2338425	15	HEXAGON SOCKET BOLT	4	SUS304	1/2"-13X3/4"	
04-A	IMPELLER ASS'Y-1ST	1	PPS	3024PH	A2408522	06-2	DRIVEN MAGNET	1	Nd-Fe-B	φ76X56.5	A2448447	14	COUNTER SUNK HEAD BOLT	4	S435	M10X25	P9119375
				3026PH													
03-1	BEARING	1	CARBON	φ34X20	A2228471	06-1	REAR THRUST PAD	1	CERAMIC	φ42X10	A2328424	13	SET SCREW	2	S435	M6X10	P9116430
				SIC													
03	REAR CASING	1	PPS	φ210X90	A2308468	06	MAGNET CAPSULE	1	PGC	φ79.6X63.5	A2438435	11	HEXAGON HEAD BOLT	8	SUS304	M10X95	P9113080
				φ226.5X41	A2208442					05-1	RING						
02-B	CASING-2ND	1	PPS	φ34X20	A2228471	05-2	SHLOUD-2ND	1	FCD-45	φ118X144	A2508499	10	O. RING	2	FKM	φ139.3Xφ5.7	G200
				SIC													
02-1	FRONT THRUST PAD	1	CERAMIC	φ72X9	P2229315	04-1	IMPELLER-2ND	1	PPS	φ170X33	A2418427	09	DEFUSER	1	PPS	φ195X18	A2638539
				SIC													
02-A	FRONT CASING-1ST	1	PPS	φ226.5X97.5	A2208440	04-B	IMPELLER ASS'Y-2ND	1	PPS	3024PH	A2408487	08-3	COVER	1	SPCC	φ91.4X12.5	A2118470
				φ228.6X18	P2179307												
01-1	TRANSITION FLANGE	1	FC-20	φ226.5X151	A2128502	04-3	SHLOUD-1ST	1	PPS	φ170X13	A2458488	08-1	BACK UP RING	1	SUS304	φ145X5	A2118473
01	BRACKET	1	FC-20	φ226.5X151	A2128502	04-2	MOUTH RING	1	RULON	φ63X8	P2429006	08	REAR CASING COVER	1	08-1,-2,-3	φ145X88	A2118458



(NEMA)

APPROVED	07 29 03	MDL NAME	NH-3024PH (3.7KW)
CHECK	11 27 02	DWG. NAME	NH-3026PH (3.7KW)
DESIGN	07 29 03	CONSTRUCTION	DRAWING
DR.BY	07 29 03	DWG. NO.	E2308152
EDITION	2		A3

TPW
HONG YUAN

PAN WORLD CO., LTD.
PANワールド株式会社