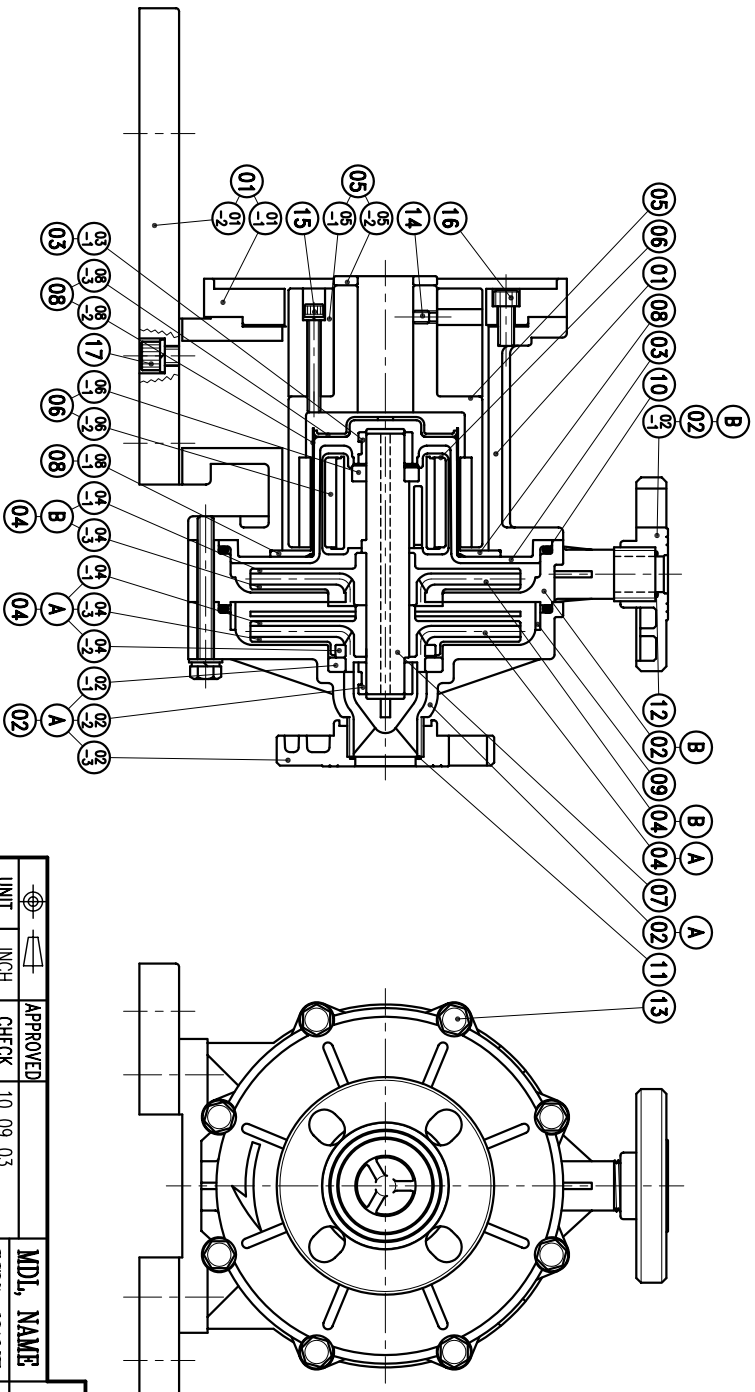


NO	PART NAME	Q'TY	MATERIAL	NOTE	DWG. NO.	NO	PART NAME	Q'TY	MATERIAL	NOTE	DWG. NO.	NO	PART NAME	Q'TY	MATERIAL	NOTE	DWG. NO.	
04-1	IMPELLER-1ST	1	PPS	Ø170X33	A2418427	08-1	BACK UP RING	1	SUS304	Ø145X5	A2118473	18	HEXAGON SOCKET BOLT	4	SUS304	1/2"-13X1 1/4"		
04-A	IMPELLER ASS'Y-1ST	1	PPS	3024PH	A2408522	08	REAR CASING COVER	1	08-1,-2,-3	Ø145X88	A2118458	17	HEXAGON SOCKET BOLT	4	S435	M12X30		
				3026PH		07	SPINDLE	1	CERAMIC	Ø30X164	A2338425							
03-1	BEARING	1	CARBON	Ø34X20	A2228471	06-2	DRIVEN MAGNET	1	Nd-Fe-B	Ø76X57.5	A2448509	16	HEXAGON SOCKET BOLT	4	SUS304	M8X60		
				SIC						06-1	REAR THRUST PAD	1	CERAMIC	Ø42X10	A2328424	15	HEXAGON SOCKET BOLT	4
03	REAR CASING	1	PPS	Ø210X90	A2308468	06	MAGNET CAPSULE	1	PPG	Ø79.6X63.5	A2438435	14	SET SCREW	2	S435	M8X10	P9119160	
02-1	FLANGE	1	PPG	25A	A2238542					05-2	FLY WHEEL	1	S45C	Ø65X5.7	P2574346	13	HEXAGON HEAD BOLT	8
02-B	CASING-2ND	1	PPS	Ø226.5X41	A2208442	05-1	DRIVE MAGNET	1	FCD-45	Ø122X165	A2508504							
02-2	BEARING	1	CARBON	Ø34X20	A2228471	05	DRIVE MAGNET	1	PPS	Ø170X13	A2458488	12	O. RING	1	FKM	Ø23.5XØ2	S24	
02-1	FRONT THRUST PAD	1	CERAMIC	Ø72X9	P2229315	04-3	SHLOUD-2ND	1	PPS	Ø170X33	A2418427	10	O. RING	2	FKM	Ø39.5XØ2	S40	
				SIC		04-1	IMPELLER-2ND	1	PPS	3024PH	A2408487	09	DEFUSER	1	PPS	Ø195X18	A2638539	
02-A	FRONT CASING-1ST	1	PPS	Ø226.5X97.5	A2208440	04-B	IMPELLER ASS'Y-2ND	1	PPS	Ø170X13	A2458421	08-3	COVER	1	SPCC	Ø91.4X12.5	A2118470	
01-2	FOOT	1	S45C	300X95	A2178544	04-3	SHLOUD-1ST	1	PPS	Ø170X13	A2458421	08-2	PIPE	1	HASTELLOY C	Ø91.4X82	A2118469	
01-1	TRANSITION FLANGE	1	FC-20	Ø228.6X29.1	P2179308	04-2	MOUTH RING	1	RULON	Ø63X8	P2429006							
01	BRACKET	1	FC-20	Ø226.5X151	A2128503													



(NEMA)

APPROVED	10 09 03	MDL NAME	NH-3024PH (5.5KW)
CHECK	10 09 03	DWG. NAME	NH-3026PH (5.5KW)
DESIGN	10 09 03	CONSTRUCTION DRAWING	
DR.BY	10 09 03 BECKY	DWG. NO.	E2308186
EDITION 1		A3	

TPW  
HONG YUAN

PAN WORLD CO., LTD.  
パンワールド株式会社