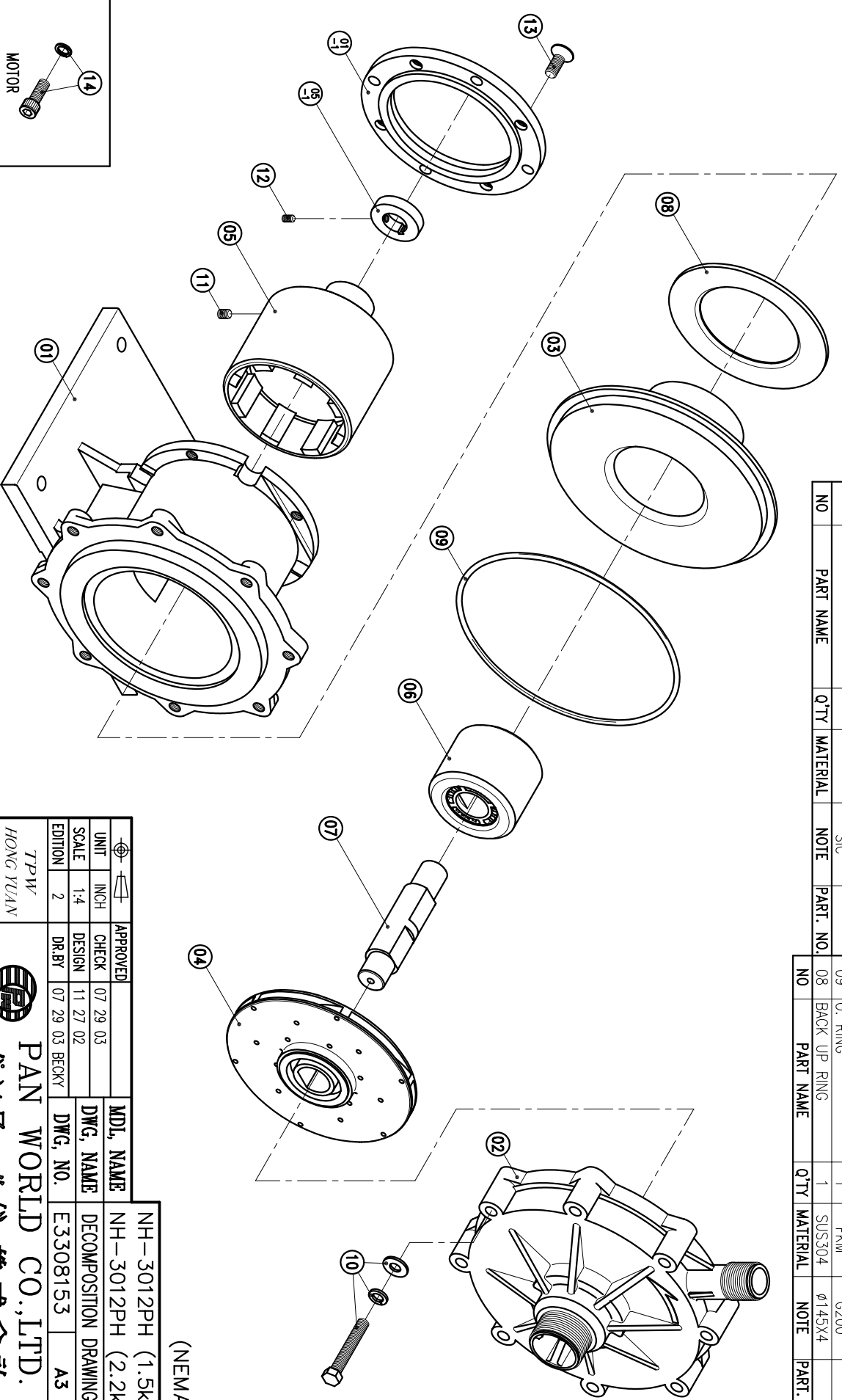


NO	PART NAME	Q'TY	MATERIAL	NOTE	PART. NO.	NO	PART NAME	Q'TY	MATERIAL	NOTE	PART. NO.
01	FRONT CASING	1	PPS			07	SPINDLE	1	CERAMIC	φ30X131	
01-1	TRANSITION FLANGE	1	FC-20	φ165.1X14		06	MAGNET CAPSULE	1	PPG	φ79.6X63.5	
	THRUST PAD: CERAMIC					05-1	RING	1	S45C	φ44X10	
	BEARING: SIC					05	DRIVE MAGNET	1	FCD-45	φ118X133	
						04	IMPELLER ASS'Y	1	PPS	3012PH 3013PH 3013PH	
						03	REAR CASING	1	PPS	CARBON SIC	
						04	IMPELLER ASS'Y	1	PPS	3012PH 3013PH 3013PH	
						09	O. RING	1	FKM	G200	
						08	BACK UP RING	1	SUS304	φ145X4	
						14	HEXAGON SOCKET BOLT	4	SUS304	3/8"-16X1"	
						13	COUNTER SUNK HEAD BOLT	4	S435	M10X20	
						12	SET SCREW	2	S435	M6X10	
						11	SET SCREW	2	S435	M8X10	
						10	HEXAGON HEAD BOLT	8	SUS304	M10X60	
						09	w/1 SPRING WASHER				
						08	w/1 PLAN WASHER				



(NEMA)

UNIT	INCH	APPROVED	CHECK	DATE	MDL. NAME	NH-3012PH (1.5kW)
SCALE	1-4	DESIGN	11 27 02		DWG. NAME	NH-3012PH (2.2kW)
EDITION	2	DR.BY	07 29 03	BECKY	DWG. NO.	E3308153

TPW
HONG YUAN

PAN WORLD CO., LTD.
パンワールド株式会社