

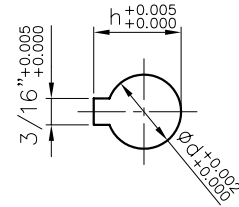
Table 1.

Required Motor	L1	L	d	h
0.37 kW	*	*	*	*
0.75 kW	13 25/64"	31/64"	5/8"	23/32"
1.5 kW	13 25/32"	13/32"	7/8"	31/32"
2.2 kW	13 25/32"	13/32"	7/8"	31/32"

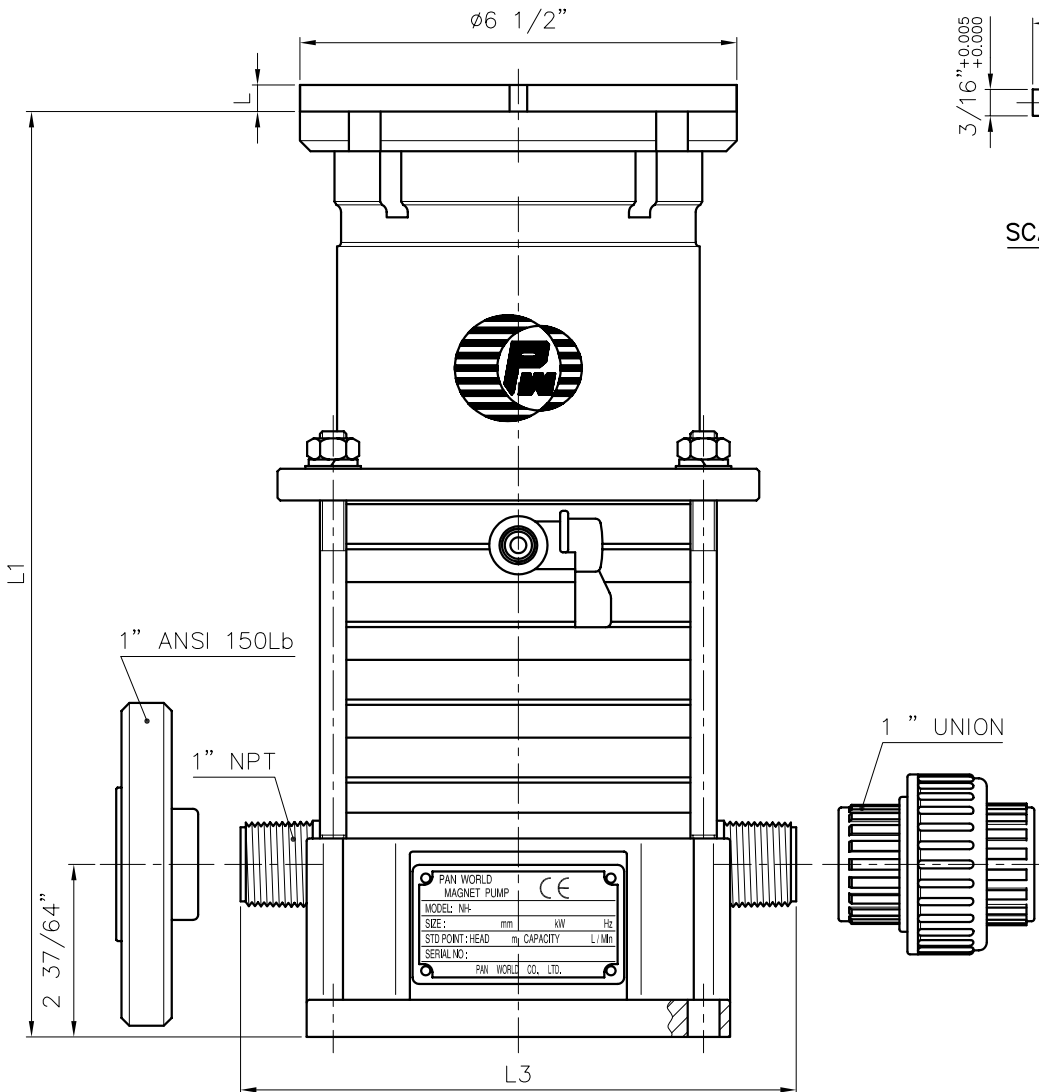
Table 3.

-	NPT Thread	Union	Flange
L3	8 17/64"	10 53/64"	9 9/64"

(L:0.75kW=1 7/8" , 1.5kW/2.2kW=2 1/4")



SCALE = 2:1



APPROVED		MDL, NAME		NH-250PMV-4 (NEMA)	
UNIT	INCH	CHECK	11 12 05	DWG, NAME	INSTALLATION DRAWING
SCALE	1:2	DESIGN	05 03 95	DWG, NO.	B1258272
EDITION	1	DR.BY	11 12 05 BECKY		A3

DIMENSION TOLERANCE : JIS 16 CLASS

TPW
HONG YUAN



PAN WORLD CO.,LTD.
パンワールド株式会社