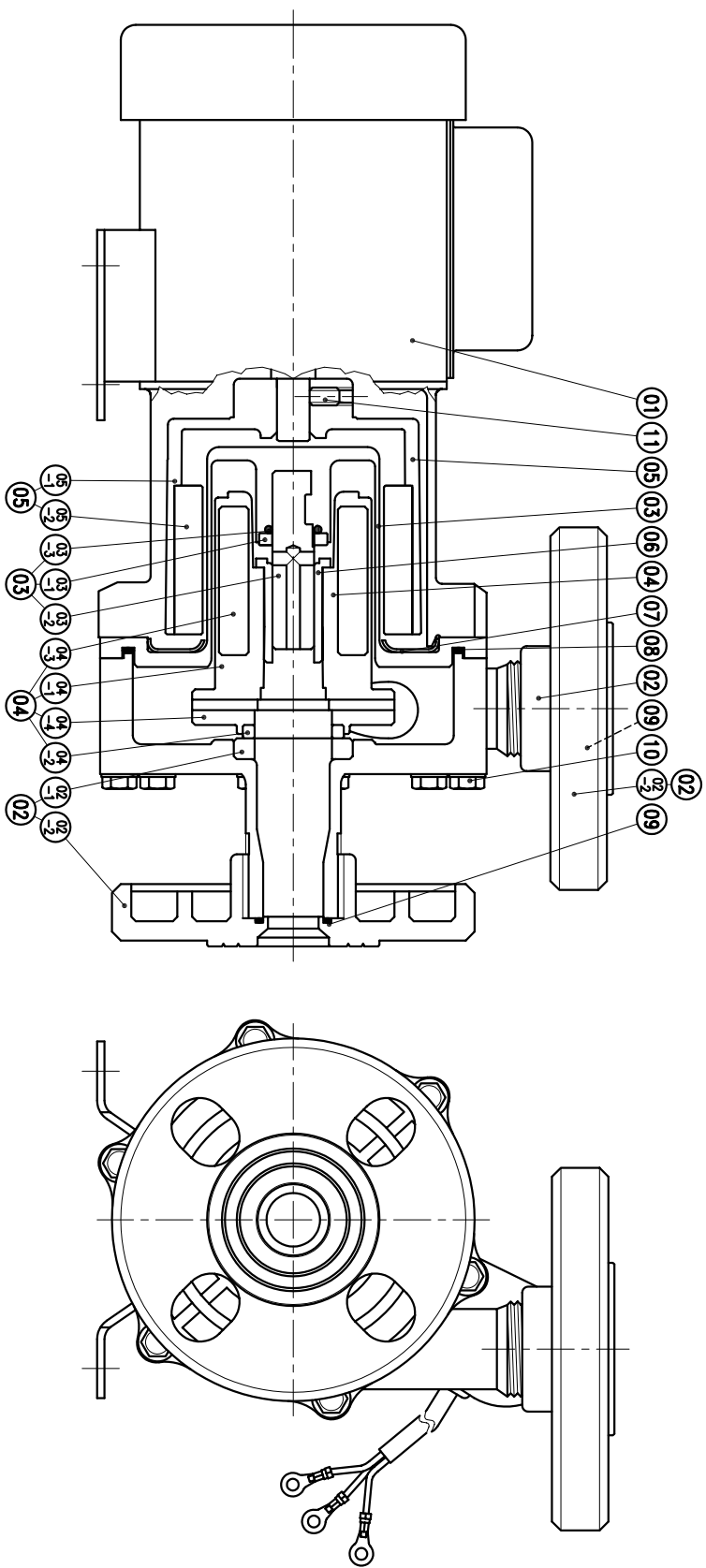


NO	PART NAME	Q'TY	MATERIAL	NOTE	DWG. NO.	NO	PART NAME	Q'TY	MATERIAL	NOTE	DWG. NO.
03-3	O. RING	1	FKM	φ13.8Xφ2.4	P14	05-2	OUTER MAGNET	1	FERRITE	φ80X30	P2522116
03-2	SPINDLE	1	CERAMIC	φ14X60	P2332110	06-1	MAGNET HOUSING	1	ADC-12	φ66X86	P2512114
03-1	REAR THRUST PAD	1	CERAMIC	φ23X4	P2322109	05	OUTER DRIVE RING	1		φ66X86	P2509064
03	REAR CASING	1	PPS	φ123.5X75	A2302131	04-4	IMPELLER COVER	1	PPG	φ100X20	P2452117
02-2	FLANGE	2	PPG	25A	P2232756	04-3	INNER MAGNET	1	FERRITE	φ50X50	P2442113
02-1	FRONT THRUST PAD	1	CERAMIC	φ40X7	P2222106	04-2	MOUTH RING	1	RUION	φ34X5	P2422112
02	FRONT CASING	1	PPG	φ123.5X87.5	P2202061	04-1	IMPELLER VANE	1	PPG	φ100X76.5	P2412111
01	MOTOR	1	90W, 2P	100~120V, 200~240V		04	IMPELLER ASS'Y	1	PPG		P2402063
						11	SET SCREW	2	S435	M6X10	P9116430
						10	HEXAGON HEAD BOLT	6	SUS304	M6X55	P9119009
						09	w/L P.W (φ11.5Xφ6.4X11.6)	2	FKM	φ19.8Xφ2.4	P20
						08	O. RING	1	FKM	φ109.4Xφ3.1	G110
						07	BACK UP RING	1	SUS304	φ98X4.5	P2112067
						06	BEARING	1	CERAMIC CARBON	φ25X35	P2462956
									RUION		A240217
											P2462065



APPROVED	CHECK	SCALE	EDITION	MDL. NAME	DWG. NAME	DWG. NO.
				NH-150PS	CONSTRUCTION DRAWING	B2152825
						A3

TPW
 HONG YUAN

PAN WORLD CO., LTD.
パンワールド株式会社