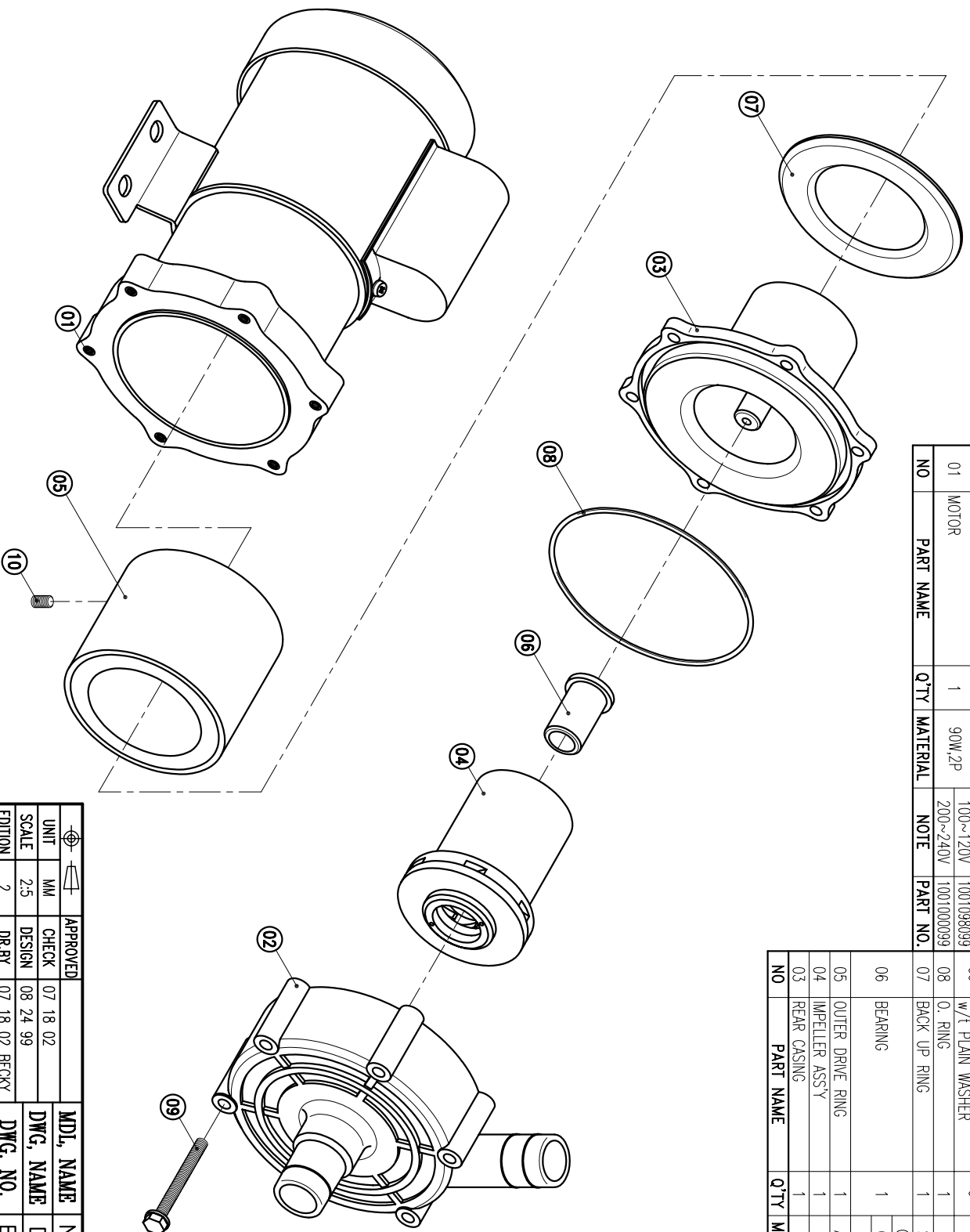


NO	PART NAME	Q'TY	MATERIAL	NOTE	PART NO.
01	MOTOR	1	90W, 2P	100~120V 200~240V	1001098099
02	FRONT CASING	1	PPG		1001006100
03					1001098099
04					1001000099
05					1001000099
06					1001000099
07					1001000099
08					1001000099
09					1001000099
10					1001000099

NO	PART NAME	Q'TY	MATERIAL	NOTE	PART NO.
01					1001006100
02					1001098099
03					1001000099
04					1001000099
05					1001000099
06					1001000099
07					1001000099
08					1001000099
09					1001000099
10					1001000099



HOSE: 26mm X 26mm
G : 1" X 1"
NPT : 1" X 1"

UNIT	MM	CHECK	07 18 02	MDL NAME	NH-150PS
SCALE	2.5	DESIGN	08 24 99	DWG. NAME	DECOMPOSITION DRAWING
EDITION	2	DR.BY	07 18 02 BECKY	DWG. NO.	B3152531
					A3

TPW
HONG YUAN



PAN WORLD CO., LTD.
パンワールド株式会社