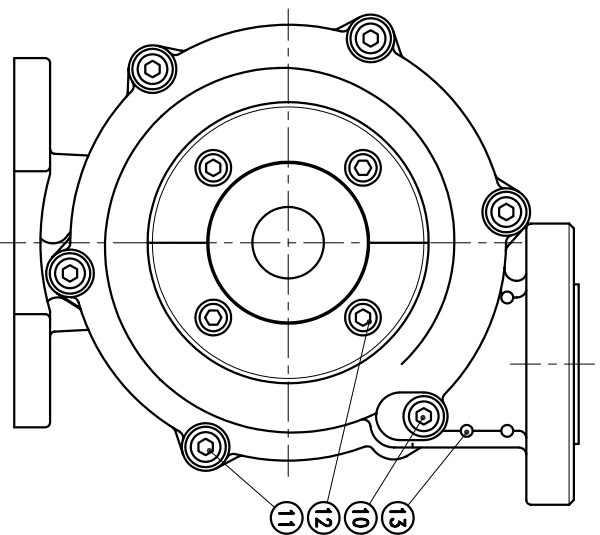
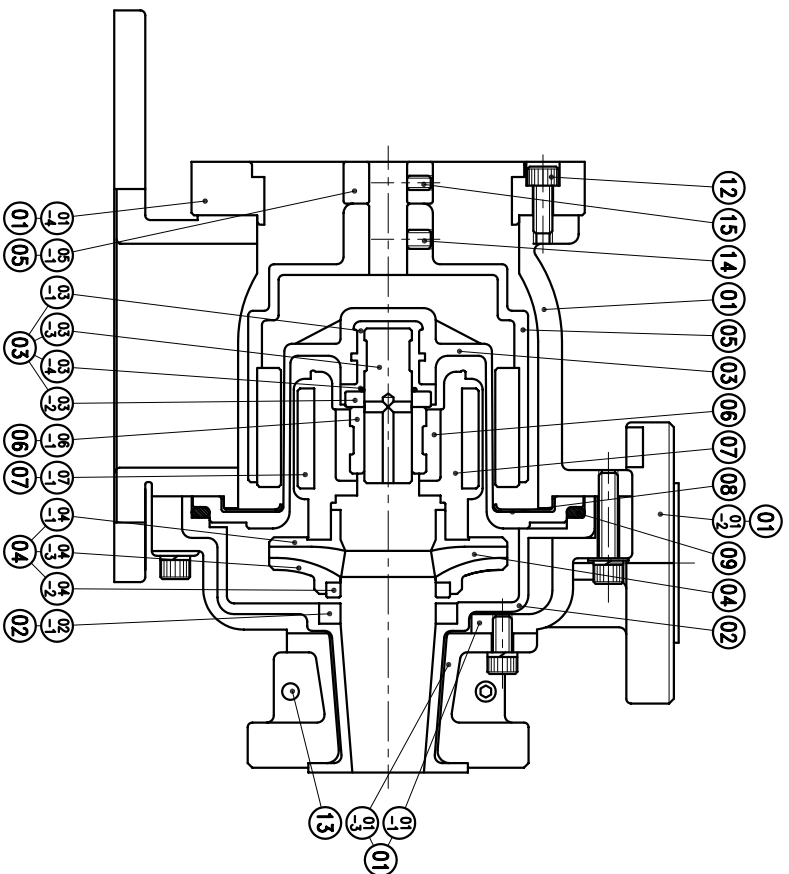


| | | | | | |
|------|-------------------|---|-------|--------------|----------|
| 03-2 | REAR THRUST PAD | 1 | SIC | 036X6.5 | P2329095 |
| 03-1 | SPINDLE HOLDER | 1 | ETFE | 040X68 | P2379093 |
| 03 | REAR CASING | 1 | ETFE | 0164X92.5 | P2309073 |
| 02-1 | FRONT THRUST PAD | 1 | SIC | 058X8.5 | P2229092 |
| 02 | FRONT CASING | 1 | ETFE | 0173.5X115.5 | P2204083 |
| 01-4 | TRANSITION FLANGE | 1 | FC-20 | 0165.1X26.4 | P2179300 |
| 01-3 | COVER C | 1 | FC-20 | 0118X56.5 | A2154022 |
| 01-2 | COVER B | 1 | FC-20 | 0118X21 | A2144021 |
| 01-1 | COVER A | 1 | FC-20 | 0185X57.5 | A2134020 |
| 01 | BRACKET | 1 | FC-20 | 0185X118 | P2124856 |

| | | | | | |
|------|-------------------|---|----------------------|------------|----------|
| 07 | INNER DRIVE RING | 1 | ETFE | 079.6X71 | P2439077 |
| 06-1 | BEARING | 1 | SIC | | P2469100 |
| | | 1 | CERAMIC CARBON RULON | 032X28 | P2469770 |
| 06 | BEARING ASS'Y | 1 | ETFE | 044X31 | A2469347 |
| 05-1 | RING | 1 | S45C | 057.5X17.5 | P2579332 |
| 05 | OUTER DRIVE RING | 1 | ADC-12 | 0117.5X119 | P2509330 |
| 04-3 | IMPELLER COVER | 1 | ETFE | 0105X18 | P2450099 |
| 04-2 | MOUTH RING | 1 | RULON | 052X7 | P2479098 |
| 04-1 | IMPELLER NOUWENON | 1 | ETFE | 0105X30 | P2419097 |
| 04 | IMPELLER ASS'Y | 1 | ETFE | | P2409074 |
| 03-4 | O. RING | 1 | FKM | 019.8X02.4 | P20 |
| 03-3 | SPINDLE | 1 | SIC | 020X65 | P2339096 |

| | | | | | |
|------|--|---|---------|-------------|----------|
| 16 | HEXAGON SOCKET BOLT w/t S.W.(3/8") (MOTOR) | 4 | SUS304 | 3/8"-16X1" | |
| 15 | SET SCREW | 2 | S435 | M6X10 | P9116430 |
| 14 | SET SCREW | 2 | S435 | M8X10 | P9119160 |
| 13 | HEXAGON SOCKET BOLT | 5 | SUS304 | M6X16 | P9119156 |
| 12 | HEXAGON SOCKET BOLT w/t S.W.(M8) | 8 | SUS304 | M8X20 | P9119155 |
| 11 | HEXAGON SOCKET BOLT w/t P.W.(015X08X1) | 5 | SUS304 | M8X40 | P9119155 |
| 10 | HEXAGON SOCKET BOLT w/t P.W.(015X08X1) | 1 | SUS304 | M8X70 | P9119155 |
| 09 | O. RING | 1 | FKM | 0149.3X05.7 | G150 |
| 08 | BACK UP RING | 1 | SUS304 | 0140X5.5 | P2119089 |
| 07-1 | INNER MAGNET | 1 | FERRITE | 076X44.5 | P2449101 |



| | | | |
|----------|----------------|-----------|----------------------|
| APPROVED | | MDL NAME | NH-250PW-C (NEMA) |
| CHECK | 10 16 02 | DWG. NAME | CONSTRUCTION DRAWING |
| DESIGN | 01 11 02 | DWG. NO. | B2254567 |
| DR.BY | 10 16 02 BECKY | | A3 |
| EDITION | 2 | | |

TPW
HONG YUAN



PAN WORLD CO., LTD.
パンワールド株式会社