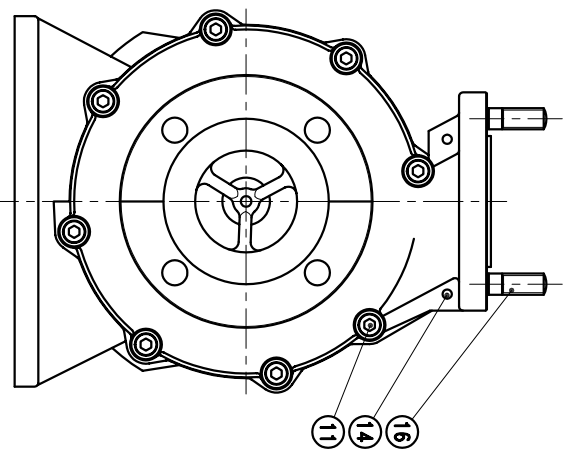
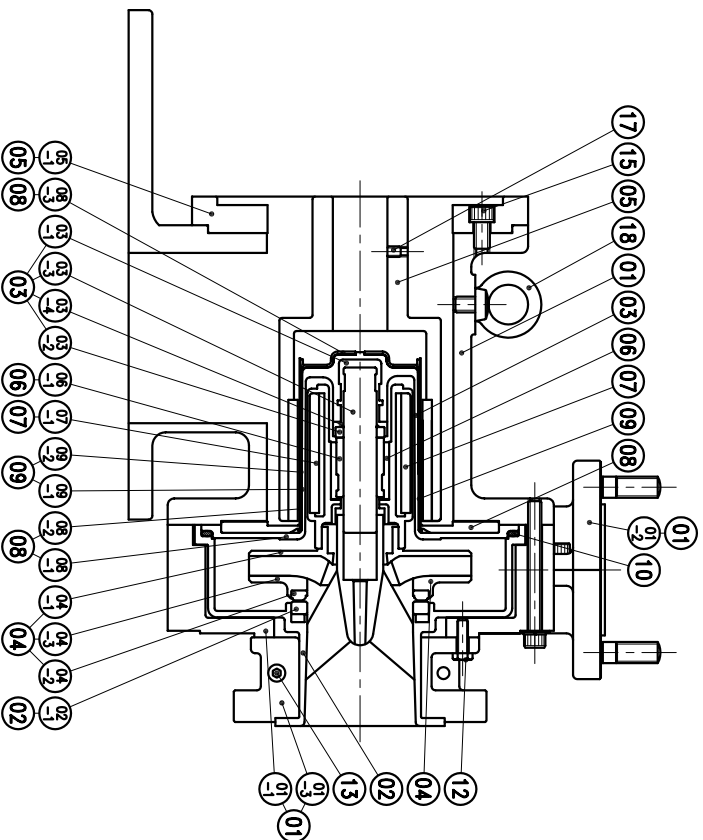


| NO | PART NAME | Q'TY | MATERIAL | NOTE | DWG. NO. | NO | PART NAME | Q'TY | MATERIAL | NOTE | DWG. NO. |
|------|-------------------|------|----------|------------|----------|------|---------------------|------|--------------------------|-------------------|----------------------------------|
| 03-4 | O. RING | 1 | FKM | φ24.4Xφ3.1 | G25 | 08-3 | COVER | 1 | SUS304 | φ90.4X112 | A2119715 |
| 03-3 | SPINDLE | 1 | SIC | φ25X125 | P2339005 | 08-2 | PIPE | 1 | HASTELLOY C | φ90.4X133.5 | A2119712 |
| 03-2 | REAR THRUST PAD | 1 | SIC | φ37X8 | P2329188 | 08-1 | BACK UP RING | 1 | SUS304 | φ210X8.5 | A2119285 |
| 03-1 | SPINDLE HOLDER | 1 | ETFE | φ41X1.31 | P2379483 | 07-1 | INNER MAGNET | 1 | Nd-Fe-B | φ76X93 | P2444492 |
| 02-1 | FRONT THRUST PAD | 1 | CERAMIC | φ104X9 | P2224475 | 07 | INNER DRIVE RING | 1 | ETFE | φ79.6X124 | P2439018 |
| 02 | FRONT CASING | 1 | ETFE | φ250X152 | P2214741 | 06-1 | BEARING | 1 | SIC CERAMIC CARBON | φ36X45 | P2469772 P2469183 P2469773 |
| 01-4 | TRANSITION FLANGE | 1 | FC-20 | φ254X27.6 | P2179309 | 06 | BEARING ASS'Y | 1 | ETFE | φ44X46.5 | A2469553 |
| 01-3 | COVER C | 1 | FC-20 | φ191X64 | A2154015 | 05 | OUTER DRIVE RING | 1 | FCD-45 | φ122X245.1 | P2504347 |
| 01-2 | COVER B | 1 | FC-20 | φ165X40 | A2144024 | 04-3 | IMPELLER COVER | 1 | ETFE | φ175X20 | P2454028 |
| 01-1 | COVER A | 1 | FC-20 | φ264X85 | A2134016 | 04-2 | MOULTH RING | 1 | RUON | φ104X9 | P2424412 |
| 01 | BRACKET | 1 | FC-20 | φ264X226.5 | A2124362 | 04-1 | IMPELLER NOUWENON | 1 | ETFE | φ175X44 | P2414022 |
| | | | | | | 04 | IMPELLER ASS'Y | 1 | ETFE | 6515PW-C:P2404057 | |
| | | | | | | | | | | 6520PW-C:P2404058 | |
| | | | | | | 09-2 | PTFE BOARD | 1 | FKM | φ219.3Xφ5.7 | G220 |
| | | | | | | 09-1 | PTFE BOARD | 1 | PTFE | 281.8X122.9 | A2119713 |
| | | | | | | 09 | PTFE BOARD | 2 | PTFE | L X 122.9 | A2119713 |
| | | | | | | 19 | HEXAGON SOCKET BOLT | 4 | SUS304 | 1/2"-13X1 1/4" | |
| | | | | | | 18 | EYE BOLT | 1 | S41C | M12 | P9114152 |
| | | | | | | 17 | SET SCREW | 2 | S435 | M8X10 | P9119160 |
| | | | | | | 16 | STUD BOLT | 4 | SUS304 | 5/8"-11 UNC | A9114720 |
| | | | | | | 15 | HEXAGON SOCKET BOLT | 4 | SUS304 | M12X20 | P9119087 |
| | | | | | | 14 | HEXAGON SOCKET BOLT | 2 | SUS304 | M6X25 | P9119156 |
| | | | | | | 13 | HEXAGON SOCKET BOLT | 2 | SUS304 | M8X20 | P9119155 |
| | | | | | | 12 | HEXAGON HEAD BOLT | 4 | SUS304 | M8X20 | P9119079 |
| | | | | | | 11 | HEXAGON SOCKET BOLT | 8 | SUS304 | M10X100 | P9119154 |
| | | | | | | 10 | O. RING | 1 | FKM | φ219.3Xφ5.7 | G220 |



| | | | | |
|----------|----------------|-----------|-------------|----------------------|
| APPROVED | | MDL, NAME | NH-6515PW-C | (NEMA) |
| CHECK | 05 03 05 | DWG, NAME | NH-6520PW-C | CONSTRUCTION DRAWING |
| DESIGN | 05 06 97 | DWG, NO. | B2694730 | A3 |
| DR.BY | 05 03 05 BECKY | | | |

TPW
HONG YUAN



PAN WORLD CO., LTD.
パナワールド株式会社