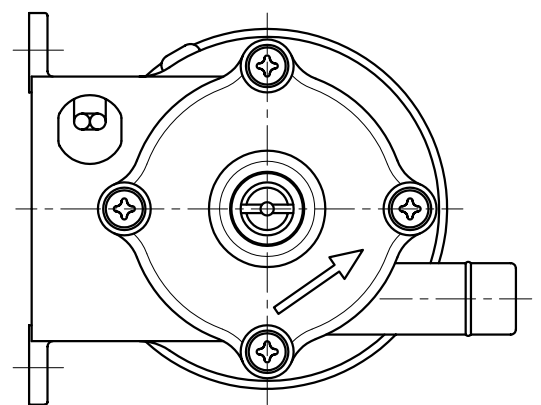
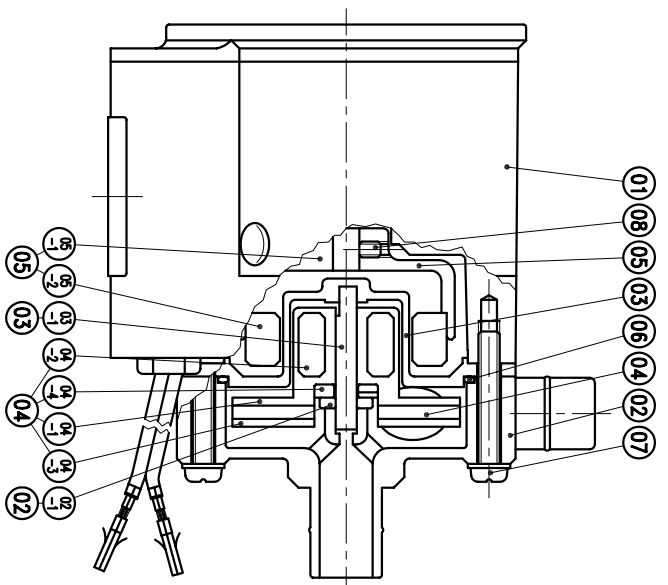


| | | | | | | | | | | | | | | | | | |
|------|------------------|---|-------------------------------|----------|----------|------|------------------|---|---------|---------|----------|------|---------------------------------------------------|---|---------|------------|----------|
| 03-1 | SPINDLE | 1 | CERAMIC | φ4X27 | A2331603 | 05 | OUTER DRIVE RING | 1 | | φ41X26 | P2501199 | 08 | SET SCREW | 2 | S435 | M3X4 | P9111421 |
| 03 | REAR CASING | 1 | PVDF | φ54X20.5 | P2301036 | 04-4 | THRUST PAD | 1 | ROLON | φ12X2.5 | A2321604 | 07 | SCREW,GROSS RECESS HEAD w/L.P.W.(φ8Xφ4.3X10.8) | 4 | SUS304 | M4X25 | A9111026 |
| 02-1 | FRONT THRUST PAD | 1 | CERAMIC | φ10Xφ4X2 | A2221602 | 04-3 | IMPELLER COVER | 1 | PVDF | φ43X1.5 | P2451213 | 06 | O. RING | 1 | FKM | φ44.5Xφ2 | S45 |
| 02 | FRONT CASING | 1 | PVDF | φ54X38 | P2201034 | 04-2 | INNER MAGNET | 1 | FERRITE | φ18X12 | P2441115 | 05-2 | OUTER MAGNET | 1 | FERRITE | φ38Xφ25X10 | P2521094 |
| 01 | MOTOR | | BRUSH LESS, 10W, DC12V, DC24V | | | 04-1 | IMPELLER VANE | 1 | PVDF | φ43X21 | A2411610 | 05-1 | MAGNET HOUSING | 1 | ADC-12 | φ41Xφ5X21 | P2511004 |

| NO | PART NAME | QTY | MATERIAL | NOTE | DWG. NO. | NO | PART NAME | QTY | MATERIAL | NOTE | DWG. NO. |
|----|-----------|-----|----------|------|----------|----|-----------|-----|----------|------|----------|
|----|-----------|-----|----------|------|----------|----|-----------|-----|----------|------|----------|



G : 1/2"X 1/2"
NPT : 1/2"X 1/2"

| | | | | |
|----------|--------|----------------|-----------|----------------------|
| APPROVED | CHECK | 12 31 03 | MDL NAME | NH-5PX-Z-D-N |
| SCALE | DESIGN | 03 24 97 | DWG. NAME | CONSTRUCTION DRAWING |
| EDITION | DR.BY | 12 31 03 BECKY | DWG. NO. | B2001246 |
| | | | | A3 |

TPW
HONG YUAN

PAN WORLD CO., LTD.
パンワールド株式会社