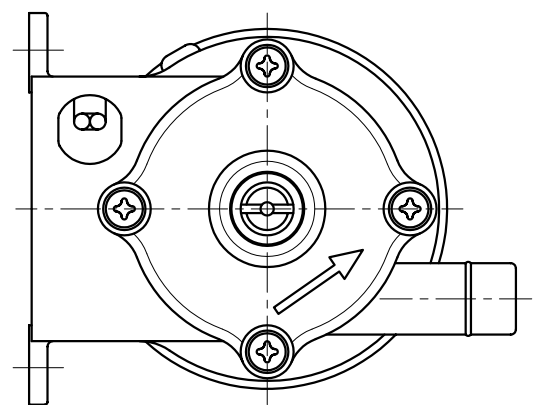
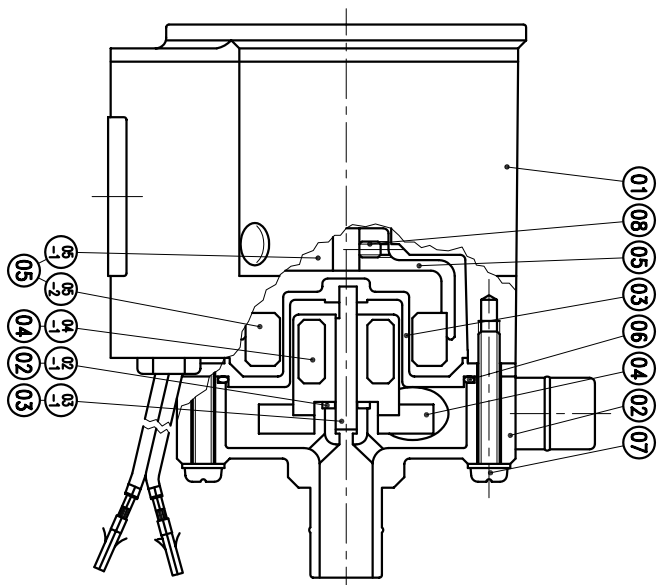


03	REAR CASING	1	PPG	φ54X20.5	P2301036	05-1	MAGNET HOUSING	1	ADC-12	φ41Xφ5XZ1	P2511004	08	SET SCREW	2	S435	M3X4	P9111421
02-1	FRONT THRUST PAD	1	RULON	φ9Xφ4.2X1.2	A2221580	05	OUTER DRIVE RING	1	φ41XZ6	P2501199	07	SCREW,GROSS RECESS HEAD	4	SUS304	M4X25	A9111026	
02	FRONT CASING	1	PPG	φ54X38	P2201034	04-1	INNER MAGNET	1	φ18X12	P2441115	06	W/L P.W (φ8Xφ4.3X10.8)	1	FKM	φ44.5Xφ2	S45	
01	MOTOR		BRUSH LESS , 6W , DC12V , DC24V			04	IMPELLER VANE	1	PPG	φ33XZ2.5	P2401035	05-2	OUTER MAGNET	1	FERRITE	φ38Xφ25X10	P2521094
NO	PART NAME	QTY	MATERIAL	NOTE	DWG. NO.	NO	PART NAME	QTY	MATERIAL	NOTE	DWG. NO.	NO	PART NAME	QTY	MATERIAL	NOTE	DWG. NO.
						03-1	SPINDLE	1	CERAMIC	φ4XZ7	P2331103						



G : 1/2"X 1/2"
NPT : 1/2"X 1/2"

APPROVED	CHECK	12 31 03	MDL NAME	NH-5PX-D
SCALE	DESIGN	10 23 96	DWG. NAME	CONSTRUCTION DRAWING
EDITION	DR.BY	12 31 03 BECKY	DWG. NO.	B2001514
				A3

TPW
HONG YUAN

PAN WORLD CO., LTD.
パンワールド株式会社