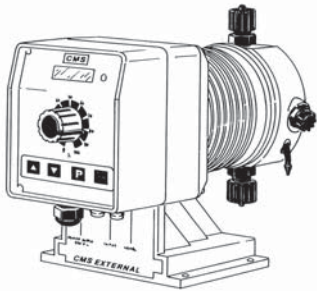
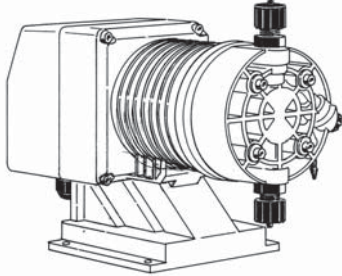


Configuration Info



115 VAC metering pumps, except 2005 and 1510 capacities.

MODELS		
	self venting models	
MF	AF	"MF" Digital multifunction pump (Constant, Divide, Multiply, PPM, Batch, Volt, mA), stand-by and flow sensor input, alarm output, level control
DC	AD	"DC" Digital constant pump, stand-by input, alarm output and level control
PH	AA	"PH" Proportional pump driven by built in pH-meter and level control, supplied without pH probe.
RH	AH	"RH" Proportional pump driven by built in ORP-meter and level control, supplied without Redox probe.
48	A4	"EXT/485" Remote controlled digital pump via RS485, level control

CAPACITIES		
2505	1.32 GPH (5 l/h) against 363 PSI (25 bar)	Tubing: 1/4"
1510	2.64 GPH (10 l/h) against 217 PSI (15 bar)	Tubing: 1/4"
0720	5.28 GPH (20 l/h) against 102 PSI (7 bar)	Tubing: 3/8"
0340	10.56 GPH (40 l/h) against 44 PSI (3 bar)	Tubing: 1/2"
0260	15.85 GPH (60 l/h) against 30 PSI (2 bar)	Tubing: 1/2"
CAPACITIES self-venting metering pumps		
252.3	0.61 GPH (2.3 l/h) against 363 PSI (25 bar)	Tubing: 1/4"
1506	1.59 GPH (6 l/h) against 217 PSI (15 bar)	Tubing: 1/4"
0713	3.43 GPH (13 l/h) against 102 PSI (7 bar)	Tubing: 3/8"
0330	7.93 GPH (30 l/h) against 44 PSI (3 bar)	Tubing: 1/2"
0238.5	10.17 GPH (38.5 l/h) against 30 PSI (2 bar)	Tubing: 1/2"

POWER SUPPLY	
03	115 VAC US plug
00	230 VAC Schuko plug
01	230 VAC without plug
04	24 VAC without plug
05	12 VDC *
07	24 VDC
* Confirm capacity availability at 12 VDC with EMEC staff.	

Model C MF 2505 V 00 00

LIQUID ENDS								
	Head	Orings	Valve		Diaphragm	Tubing		Viscosity Max CPS
			Body	Balls		Delivery	Suction	
V	Polypropylene	Viton®	Polypropylene	Ceramic	PTFE	Polyethylene	PVC	50
D	Polypropylene	Ethylene Propylene	Polypropylene	Ceramic	PTFE	Polyethylene	PVC	50
W	Polypropylene	Nytrile	Polypropylene	Ceramic	PTFE	Polyethylene	PVC	50
T	Polypropylene	Viton®+PTFE	Polypropylene	Ceramic	PTFE	Polyethylene	PVC	50
S	Polypropylene	Silicone	Polypropylene	Ceramic	PTFE	PVDF	PVDF	50
A	Acrylic	Viton®	Polypropylene	Ceramic	PTFE	Polyethylene	PVC	50
K	PVDF	Viton®	PVDF	Ceramic	PTFE	PVDF	PVDF	50
P	PVDF	EPDM	PVDF	Ceramic	PTFE	PVDF	PVDF	50
Z	SS	Viton®	SS	SS	PTFE	N/A	N/A	50
\$	Acrylic	Viton®	Polypropylene	SS+Hastelloy spring	PTFE	Polyethylene ²	PVC ²	5000 ¹

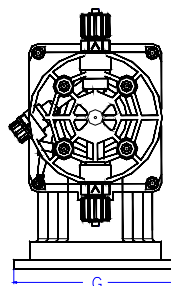
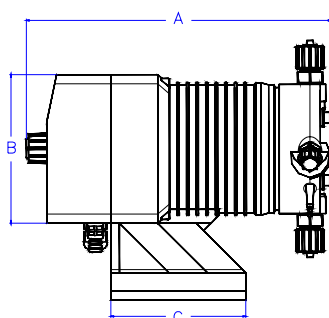
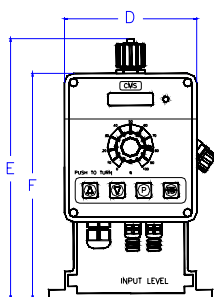
Viton® is a registered trademark of DuPont Dow Elastomers.

¹ Using high viscosity pump head "\$" pump output may results lower in some applications.
² Using high viscosity pump head "\$" tubing size will be: delivery 1/2", suction 1/2x22.

"CMS DIGITAL" series Metering Pumps

Data Sheet

SPECIFICATIONS						
	Stroke speed		Stroke length minimum linear adjustment	Average Input Power at max speed	Shipping weight	
	Min	Max				
2505	12	120	30%	42 Watt	19.8 Lbs (9 Kg)	
1510	12	120				
0720	12	120				
0340	12	120				
0260	12	120				
Self-venting models						
252.3	12	120	30%	42 Watt		
1506	12	120				
0713	12	120				
0330	12	120				
0238.5	12	120				



DIMENSIONS		
	inch	mm
A	11.23	285.30
B	5.47	139.00
C	4.98	126.50
D	4.88	124.00
E	9.58	243.50
F	8.30	211.00
G	6.02	153.00

IP65 enclosure (NEMA4x)

The series "CMS DIGITAL" dosing pumps are manufactured in moulded glass filled Polypropylene housing to ensure protection against aggressive chemicals and tough environment.

OUTPUT INFORMATION								
	Gallons per Hour		Liters per Hour		mL/cc per Stroke		Maximum Injection Pressure	
	Min	Max	Min	Max	Min	Max		
2505	0.055	1.32	0.21	5	0.21	0.70	363 PSI	25 bar
1510	0.111	2.64	0.42	10	0.42	1.4	217 PSI	15 bar
0720	1.394	5.28	0.84	20	0.84	2.8	102 PSI	7 bar
0340	2.789	10.56	1.68	40	1.68	5.6	44 PSI	3 bar
0260	4.187	15.85	2.52	60	2.52	8.4	30 PSI	2 bar
OUTPUT INFORMATION <i>self-venting metering pumps</i>								
252.3	0.025	0.61	0.096	2.3	0.096	0.32	363 PSI	25 bar
1506	0.066	1.59	0.249	6	0.249	0.83	217 PSI	15 bar
0713	0.143	3.43	0.543	13	0.543	1.81	102 PSI	7 bar
0330	0.330	7.93	1.251	30	1.251	4.17	44 PSI	3 bar
0238.5	0.424	10.17	1.605	38.5	1.605	5.35	30 PSI	2 bar