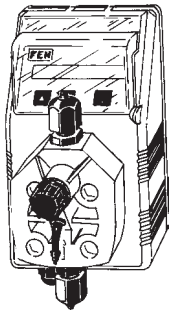


"FMS DIGITAL" series Metering Pumps

Data Sheet

Configuration Data



115 VAC Metering pumps.



All metering pumps with 230 VAC and 115 VAC power supply with FP o-rings are listed NSF 50 (except for 03 6,5, 03 8,5).

MODELS		
	self venting models	
MF	AU	"MF" Digital multifunction pump (Constant, Divide, Multiply, PPM, Batch, Volt, mA), stand-by and flow sensor input, alarm output, level control.
EN	AN	"EN" Pump with weekly timer, microprocessor, digital controls, LCD display, level probe and electrovalve control.
PH	AP	"PH" Proportional pump driven by built in pH-meter and level control, supplied without pH probe.
RH	AH	"RH" Proportional pump driven by built in ORP-meter and level control, supplied without Redox probe.
MC	AD	"CD" Proportional pump driven by internal built-in Conductivity meter (0÷20 mS), supplied with Conductivity probe (mod. "ECDCC") with automatic temperature compensation.
DT	AT	"CDT" Proportional pump driven by internal built-in Conductivity meter (0÷20 mS) for cooling tower applications, with a set point for bleed electrovalve and a set point for feeding. Supplied with Conductivity probe (mod. "ECDCC") with automatic temperature compensation.

CAPACITIES		
121.5	0.40 GPH (1.5 l/h) against 174 PSI (12 bar)	Tubing: 1/4"
102.2	0.58 GPH (2.2 l/h) against 145 PSI (10 bar)	Tubing: 1/4"
0703	0.79 GPH (3 l/h) against 102 PSI (7 bar)	Tubing: 1/4"
0705	1.32 GPH (5 l/h) against 102 PSI (7 bar)	Tubing: 1/4"
0505	1.32 GPH (5 l/h) against 73 PSI (5 bar)	Tubing: 1/4"
0606	1.59 GPH (6 l/h) against 87 PSI (6 bar)	Tubing: 1/4"
0507	1.85 GPH (7 l/h) against 73 PSI (5 bar)	Tubing: 1/4"
036.5	1.72 GPH (6.5 l/h) against 44 PSI (3 bar)	Tubing: 1/4"
038.5	2.25 GPH (8.5 l/h) against 44 PSI (3 bar)	Tubing: 1/4"

CAPACITIES self-venting metering pumps		
100.6	0.16 GPH (0.6 l/h) against 145 PSI (10 bar)	Tubing: 1/4"
071.5	0.40 GPH (1.5 l/h) against 102 PSI (7 bar)	Tubing: 1/4"
053.2	0.85 GPH (3.2 l/h) against 73 PSI (5 bar)	Tubing: 1/4"
036.5	1.71 GPH (6.5 l/h) against 44 PSI (3 bar)	Tubing: 1/4"
034.7	1.24 GPH (4.7 l/h) against 44 PSI (3 bar)	Tubing: 1/4"

POWER SUPPLY	
03	115 VAC US plug
00	230 VAC Schuko plug
01	230 VAC without plug
04	24 VAC without plug
05	12 VDC *
07	24 VDC

* Confirm capacity availability at 12 VDC with EMEC staff.

Model F MF 121.5 V 00 00

LIQUID ENDS								
	Head	Orings	Valve		Diaphragm	Tubing		Viscosity Max CPS
			Body	Balls		Delivery	Suction	
V	Polypropylene	Viton®	Polypropylene	Ceramic	PTFE	Polyethylene	PVC	50
D	Polypropylene	Ethylene Propylene	Polypropylene	Ceramic	PTFE	Polyethylene	PVC	50
W	Polypropylene	Nytrile	Polypropylene	Ceramic	PTFE	Polyethylene	PVC	50
T	Polypropylene	Viton®+PTFE	Polypropylene	Ceramic	PTFE	Polyethylene	PVC	50
S	Polypropylene	Silicone	Polypropylene	Ceramic	PTFE	PVDF	PVDF	50
A	Acrylic	Viton®	Polypropylene	Ceramic	PTFE	Polyethylene	PVC	50
K	PVDF	Viton®	PVDF	Ceramic	PTFE	PVDF	PVDF	50
P	PVDF	EPDM	PVDF	Ceramic	PTFE	PVDF	PVDF	50

Viton® is a registered trademark of DuPont Dow Elastomers.



ISO 9001 certified

1365 Piper Road
Ashby, MA 01431

1-800-998-EMEC(3632)
1-978-386-0000

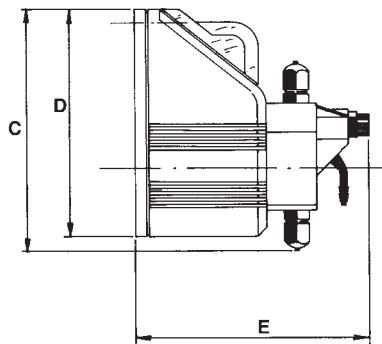
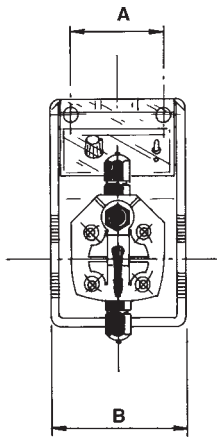
Fax 1-978-386-0002
www.emecpumps.com

Specifications subject to change without notice.
USA R1-12-05

"FMS DIGITAL" series Metering Pumps

Data Sheet

SPECIFICATIONS						
	Stroke speed		Average Input Power at max speed	Shipping weight		
	Min	Max				
	Strokes per Hour	Strokes per Minute				
121.5	1	150	16 Watt	4.85 Lbs (2.2 Kg)		
102.2	1	150				
0703	1	150				
0705	1	150				
0505	1	150				
0606	1	150				
0507	1	150				
036.5	1	150				
038.5	1	150				
Self-venting models						
100.6	1	150				
071.5	1	150				
053.2	1	150				
036.5	1	150				
034.7	1	150				



DIMENSIONS		
	inch	mm
A	2.48	63
B	3.60	91.5
C	6.61	168
D	6.04	153.5
E	6.29	160

IP65 enclosure (NEMA4x)

The series "FMS DIGITAL" dosing pumps are manufactured in moulded glass filled Polypropylene housing to ensure protection against aggressive chemicals and tough environment.

OUTPUT INFORMATION								
	Gallons per Hour		Liters per Hour		mL/cc per Stroke		Maximum Injection Pressure	
	Min	Max	Min	Max	Min	Max		
121.5	0.013	0.40	0.051	1.5	0.051	0.17	174 PSI	12 bar
102.2	0.019	0.58	0.075	2.2	0.075	0.25	145 PSI	10 bar
0703	0.027	0.79	0.102	3	0.102	0.34	102 PSI	7 bar
0705	0.044	1.32	0.168	5	0.168	0.56	102 PSI	7 bar
0505	0.044	1.32	0.168	5	0.168	0.56	73 PSI	5 bar
0606	0.053	1.59	0.201	6	0.201	0.67	87 PSI	6 bar
0507	0.061	1.85	0.234	7	0.234	0.78	73 PSI	5 bar
036.5	0.057	1.72	0.216	6.5	0.216	0.72	44 PSI	3 bar
038.5	0.075	2.25	0.285	8.5	0.285	0.95	44 PSI	3 bar
OUTPUT INFORMATION self-venting metering pumps								
100.6	0.005	0.16	0.021	0.6	0.021	0.07	145 PSI	10 bar
071.5	0.028	0.40	0.108	1.5	0.108	0.36	102 PSI	7 bar
053.2	0.013	0.85	0.051	3.2	0.051	0.17	73 PSI	5 bar
036.5	0.057	1.71	0.216	6.5	0.216	0.72	44 PSI	3 bar
034.7	0.041	1.24	0.156	4.7	0.156	0.52	44 PSI	3 bar